



Job Name: _____

Job Location: _____

Contractor: _____

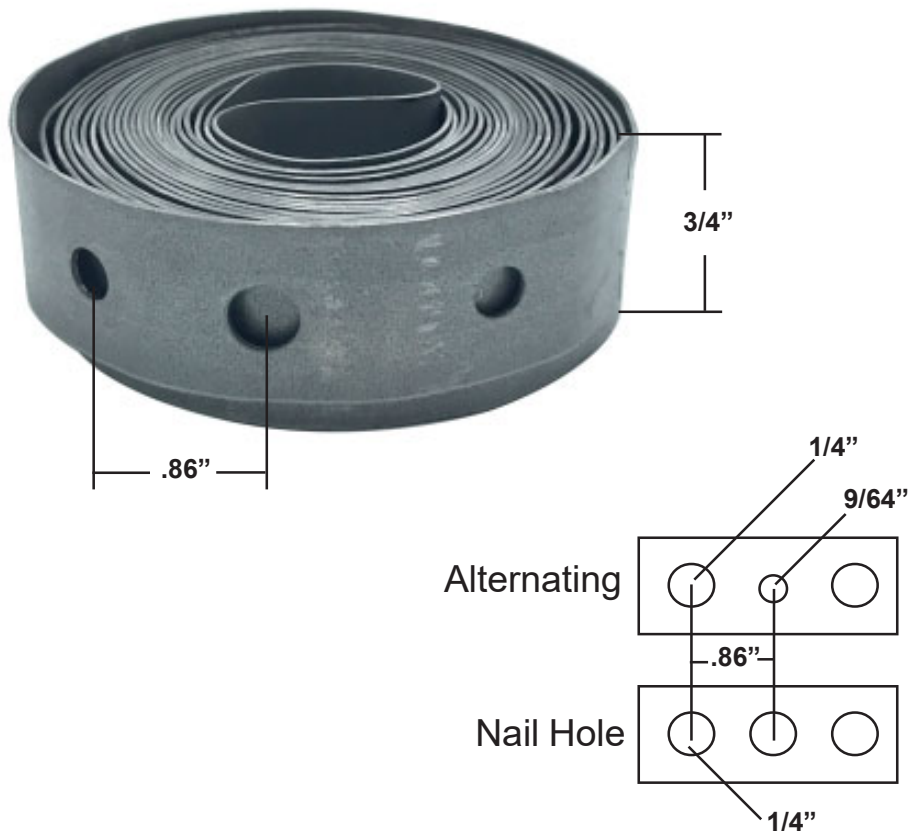
Engineer: _____

Approval: _____

Perforated Hanging Iron - Strapping

Design Features:

- 10' Long x 3/4" Wide
- Steel Constuction
- Domestic



Material Specifications	
Part	Material
Strapping	Steel

W-R#	Finish	Hole Pattern	Gauge	Min Thickness	Pattern	Max Static Working Load	Weight
2406000	Galvanized	Alternating	24 ga.	.021	Standard	70 lbs.	.54 lbs.
2406001	Galvanized	Alternating	28 ga.	.011	Light	40 lbs.	.37 lbs.
2406002	Standard	Nail Hole	24 ga.	.021	Standard	70 lbs.	.54 lbs.
2407002	Standard	Nail Hole	18 ga.	.043	Heavy	140 lbs.	1.10 lbs.
2408002	Copperized	Nail Hole	24 ga.	.021	Standard	70 lbs.	.70 lbs.